

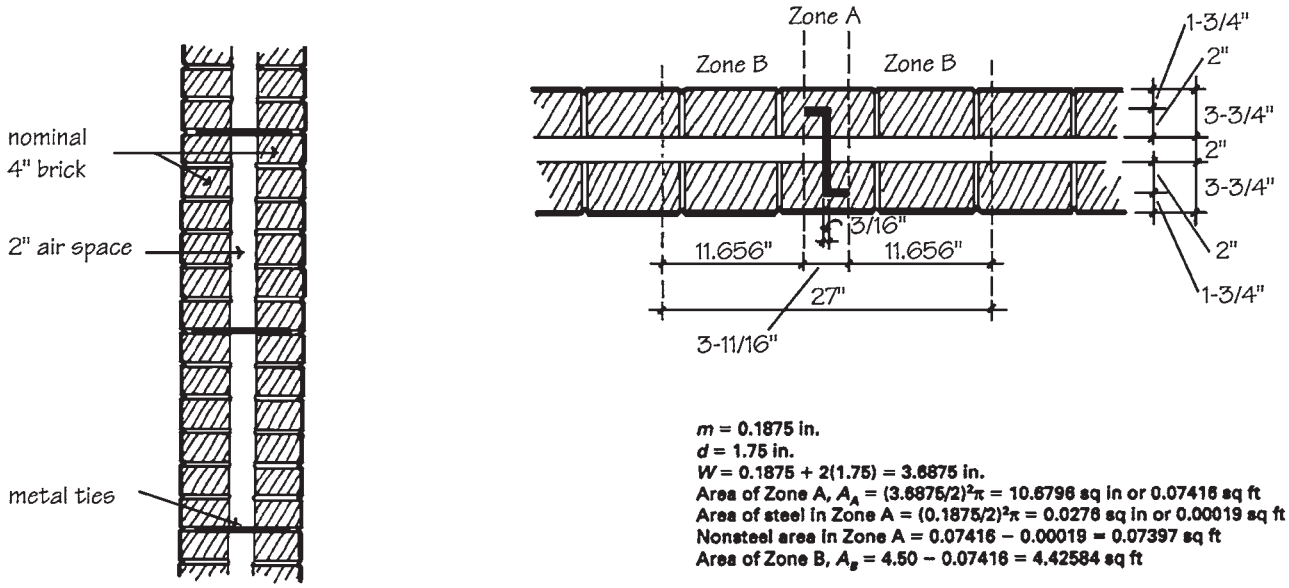
Section	C (Btu /hr·°F·sq ft)	K ((Btu·in.) /hr·°F·sq ft)	x (in.)	C _x (Btu /hr·°F·sq ft)	Zone A			Zone B		
					A (sq ft)	C _x ·A (Btu /hr·°F)	$\frac{1}{C_x \cdot A} = \frac{R}{A}$ (hr·°F) /Btu	A (sq ft)	C _x ·A (Btu /hr·°F)	$\frac{1}{C_x \cdot A} = \frac{R}{A}$ (hr·°F) /Btu
Outside air surface	6.000			6.000	0.07416	0.445	2.25	4.42584	26.555	0.04
4-in. nominal face brick		9.000	3.75	2.400				4.42584	10.622	0.09
Brick		9.000	1.75	5.143	0.07416	0.381	2.62			
Brick		9.000	2.00	4.500	0.07397	0.333				
Steel		314.000	2.00	157.000	0.00019	0.030				
					Subtotal	0.363	2.75			
1-in. airspace	1.030			1.030	0.07397	0.076		4.42584	4.559	0.22
Steel		314.000	1.00	314.000	0.00019	0.080				
					Subtotal	0.136	7.35			
2-in poly-styrene rigid board insulation		0.250	2.00	0.125	0.07397	0.009		4.42584	0.553	1.81
Steel		314.000	2.00	157.000	0.00019	0.030				
					Subtotal	0.039	25.64			
Brick		9.000	2.00	4.500	0.07397	0.333				
Steel		314.000	2.00	157.000	0.00019	0.030				
					Subtotal	0.363	2.75			
Brick		9.000	1.75	5.143	0.07416	0.381	2.62			
4-in. nominal face brick		9.000	3.75	2.400				4.42584	10.622	0.09
Inside air surface	1.470			1.470	0.07416	0.109	9.17	4.42584	6.508	0.15
					$R_A/A_A = 55.15$ $1/(R_A/A_A) = 0.018$			$R_B/A_B = 2.40$ $1/(R_B/A_B) = 0.417$		

$$U_{avg} = [1/(R_A/A_A) + 1/(R_B/A_B)]/(A_A + A_B) = (0.018 + 0.417)/(0.07416 + 4.42584) = 0.097 \text{ Btu}/(\text{hr} \cdot \text{°F} \cdot \text{sq ft})$$

$$U_B = [1/(R_B/A_B)]/A_B = 0.417/4.42584 = 0.094 \text{ Btu}/(\text{hr} \cdot \text{°F} \cdot \text{sq ft})$$

$$\frac{U_{avg} - U_B}{U_B} \times 100\% = \frac{0.097 - 0.094}{0.094} \times 100\% = 3.19\%$$

Figure 8-22 Thermal calculations for insulated brick masonry cavity wall. (From BIA Technical Note 4 Rev.)



Section	C (Btu /hr·°F·sq ft)	K ((Btu·in.) /hr·°F·sq ft)	x (in.)	C _x (Btu /hr·°F·sq ft)	Zone A			Zone B		
					A (sq ft)	C _x ·A (Btu /hr·°F)	$\frac{1}{C_x \cdot A} = \frac{R}{A}$ (hr·°F) /Btu)	A (sq ft)	C _x ·A (Btu /hr·°F)	$\frac{1}{C_x \cdot A} = \frac{R}{A}$ (hr·°F) /Btu)
Outside air surface	6.000			6.000	0.07416	0.445	2.25	4.42584	28.555	0.04
4-in. nominal face brick		9.000	3.75	2.400				4.42584	10.822	0.09
Brick		9.000	1.75	5.143	0.07416	0.381	2.82			
Brick		9.000	2.00	4.500	0.07397	0.333				
Steel		314.000	2.00	157.000	0.00019	0.030				
					Subtotal	0.363	2.75			
2-in. airspace	1.030			1.030	0.07397	0.076		4.42584	4.559	0.22
Steel		314.000	2.00	157.000	0.00019	0.030				
					Subtotal	0.106	9.43			
Brick		9.000	2.00	4.500	0.07397	0.333				
Steel		314.000	2.00	157.000	0.00019	0.030				
					Subtotal	0.363	2.75			
Brick		9.000	1.75	5.143	0.07416	0.381	2.82			
4-in. nominal face brick		9.000	3.75	2.400				4.42584	10.822	0.09
Inside air surface	1.470			1.470	0.07416	0.109	9.17	4.42584	6.506	0.15
					$R_A/A_A = 31.59$ $1/(R_A/A_A) = 0.032$			$R_B/A_B = 0.59$ $1/(R_B/A_B) = 1.695$		

$U_{avg} = [1/(R_A/A_A) + 1/(R_B/A_B)] / (A_A + A_B) = (0.032 + 1.695) / (0.07416 + 4.42584) = 0.384$ Btu/(hr·°F·sq ft)
 $U_B = [1/(R_B/A_B)] / A_B = 1.695 / 4.42584 = 0.383$ Btu/(hr·°F·sq ft)
 $\frac{U_{avg} - U_B}{U_B} \times 100\% = \frac{0.384 - 0.383}{0.383} \times 100\% = 0.26\%$

Figure 8-23 Thermal calculations for uninsulated brick masonry cavity wall. (From BIA Technical Note 7 Rev.)